

 VICTOPTICS

USER MANUAL

3-9x40 / 3-9x50

S3

Manual # VI Series
2026041601



READ IT BEFORE USE!!!

READ AND UNDERSTAND THE CONTENTS OF YOUR FIREARM'S AND SCOPE MANUAL. FOLLOW ALL STANDARD SAFETY PRECAUTIONS AND PROCEDURES DURING FIREARM OPERATION.



VICTOPTICS



使用说明



FACEBOOK

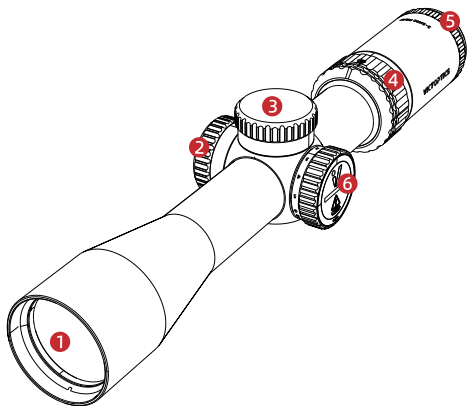


INSTAGRAM



- NEVER LOOK AT THE SUN THROUGH THE SCOPE (OR ANY OTHER OPTICAL INSTRUMENT). IT MAY PERMANENTLY DAMAGE YOUR EYES.
- MAKE SURE FIREARMS ARE UNLOADED AND POINTED IN THE SAFE DIRECTION.

PRODUCT FUNCTION DIAGRAM



1 Objective Lens

2 Windage

3 Elevation

4 Power Ring

5 Eye Piece

6 Illumination Switch
Battery Compartment

EYEPIECE FOCUSING

The eyepiece is designed to provide a precise fast focus at certain eye relief. The eyepiece will focus faster than your eye can compensate for any inaccuracy in your adjustment. Set your scope at max magnification and set the parallax to infinity. Turn back out of the focus ring until the reticle is completely fuzzy. Look through the scope a plain background. Turn the eyepiece focus ring until the reticle itself is maximum sharp clear. Having made your adjustment, re-check it quickly.

MOUNTING

The scope is installed on the gun by means of a pair of scope rings or a one-piece scope mount. Use quality scope rings or mount with a base designed to fit your particular rifle. The scope shall be mounted without touching either the barrel or the receiver. For safety reasons, allow at least 3 inches of clearance between the scope and your eyes when shooting. Slide scope forward or backward to acquire the proper eye relief that allows you to see the full field of view. Rotate the scope in the rings, make sure the reticle pattern is vertical/horizontal to your sight and the elevation adjustment is on the top. Tighten all mounting screws to fix the scope firmly on the rifle.



Do not over-tighten the mount, or it may damage your scope. Max 30 in/lbs (2.5 ft / lbs, or 3.4 Nm) for mount base screws.

MAGNIFICATION ADJUSTMENT

To change magnification, simply turn the power selector ring, choose the desired power depending on the shooter's preference, and align the number with the index dot. Lower magnification provides a wider field of view and a brighter image. It is helpful in low-light, close-range shooting, and moving targets.

Higher magnification should be reserved for precise long-range shooting, which has a narrower field of view and dimmer image.

ZEROING

The scope features finger-adjustable audible-click elevation and windage adjustments. Referring to the point of impact you will need to adjust both windage and elevation turrets. The elevation is the vertical (up and down) adjustment, usually on the top of the scope. Windage is the horizontal (left-to-right) adjustment, usually on the right of the scope. Pull up the turret when you need to adjust the windage or elevation. Press down to lock the turret after you zero the scope.

The scope feature 1/4MOA windage & elevation adjustment with audible clicks, meaning that 1 click moves the point of impact = 1/4" at 100 yards.

With the scope mounted, rest the firearm onto a solid support and aim at a target 100 yards away. Slowly shoot a small 3 to 5 round test group onto your target. Adjust windage & elevation screws in the direction you want to move the bullet impact.

Should your impacts be below your point of aim, dial UP to reach zero. Should your impacts be left to your point of aim, dial R(right) to reach zero. Each click of adjustment moves the point of impact. Shoot another 3 to 5 round test group. Repeat until you are satisfied with the point of aim.

TURNING ON & ILLUMINATION ADJUSTMENT

Placed on the left side of the scope, the illumination adjustment knob controls the intensity level. It lights up all or a portion of the reticle. The scope has 5 intensity levels red & green. Turn the knob to turn on the illumination. Go on turning the knob will adjust the intensity level. You can adjust the intensity level to #5, which is the brightest setting. Set the knob to "R/G" will turn the illumination off.

BATTERY EXCHANGE

Your scope illumination is powered by 1 piece of CR2032 lithium button battery.

To insert, remove or replace the battery:

Release the battery compartment cover.

Remove the used battery from the battery

compartment. Insert a new one from a reputable manufacturer with the positive (+) side UP. Screw on the battery compartment cover.



Should the illumination grows dim or not turn on, you will need to exchange the battery.

SEALED, WATER RESISTANT AND FOGPROOF

The scope is nitrogen-purged to remove any vestige of internal moisture, also has an O-ring to prevent the entry of dust or moisture.

MAINTENANCE

Your scope, though amazingly tough, is a precision instrument that deserves reasonable cautious care.

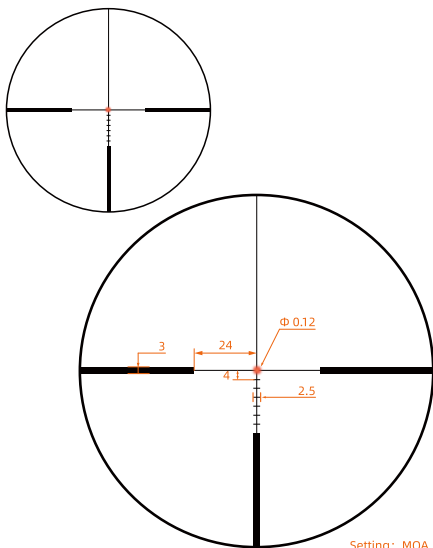
- When cleaning the lens, first blow away any dirt and dust, or use a soft lens brush. Fingerprints and lubricants can be wiped off with lens tissue, or a soft clean cotton cloth, moistened with lens cleaning fluid.
- All moving parts of the scope are permanently lubricated. Do not try to lubricate them.
- No maintenance is needed on the scope's outer surface, except to occasionally wipe off dirt or fingerprints with a soft cloth.
- Use lens covers whenever convenient.

STORAGE

Avoid storing the scope in hot places, such as the passenger compartments of vehicles on hot days. The high temperatures could adversely affect the lubricants and sealants. A vehicle's trunk, a gun cabinet, or a closet is preferable. Never leave the scope where direct sunlight can enter either the objective lens.

Damage may result from the concentration (burning glass effect) of the sun's rays.

RETICLE PATTERN



- **INGESTION HAZARD:** This product contains a button cell or coin battery.
- **DEATH:** or serious injury can occur if ingested.
- A swallowed button cell or coin battery can cause **Internal chemical burns** in as little as **2 hours**.
- Keep new and used batteries **out of reach of children**.
- **Seek immediate medical attention** if a battery is suspected to be swallowed or inserted inside any part of the body.
- Battery misuse or abuse may result in leakage, fire or explosion.

ONE YEAR WARRANTY

Your VictOptics product is warranted free of defects in materials and workmanship for a period of 1 year from the time of purchase by the original owner. In the event of a defect under this warranty, we will, at our option, repair or replace the product at no charge to you. If we can't repair your product, we will replace it with a product of equal or better physical condition.

This warranty does not cover damages caused by misuse, improper handling, loss, theft, deliberate damage, or cosmetic damage. The battery is not covered under this warranty. Also, this warranty is null and void if modification or maintenance is provided by someone other than VictOptics. This warranty is non-transferable.

For products not directly purchased from us, please contact the local dealer for applicable warranty info. Any warranty must be registered and complete warranty terms by the link:

WARRANTY.VECTOROPTICS.COM

