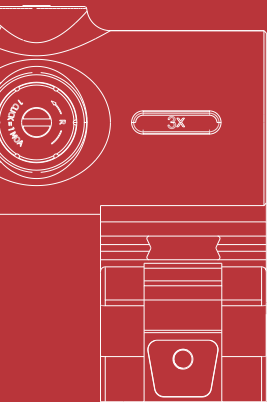


 VICTOPTICS

# USER MANUAL

SOM 3x Magnifier



MANUAL # VI SERIES  
20260409



# READ IT BEFORE USE!!!

READ AND UNDERSTAND THE CONTENTS OF YOUR FIREARM'S AND SCOPE MANUAL. FOLLOW ALL STANDARD SAFETY PRECAUTIONS AND PROCEDURES DURING FIREARM OPERATION.



VICTOPTICS



使用说明



FACEBOOK



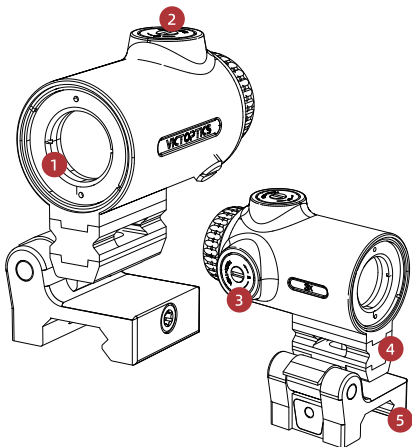
INSTAGRAM



NEVER LOOK AT THE SUN THROUGH THE SCOPE (OR ANY OTHER OPTICAL INSTRUMENT). IT MAY PERMANENTLY DAMAGE YOUR EYES.

MAKE SURE FIREARMS ARE UNLOADED AND POINTED IN THE SAFE DIRECTION.

# PRODUCT FUNCTION DIAGRAM



1 Objective Lens

3 Windage

5 Picatinny Mount

2 Elevation

4 Riser Section

# PRESENTATION

The magnifier can be used in conjunction with all sights for long-range aiming, or alternatively, whenever the situation needs closer or more detailed aiming capability. It can also be used as a handheld observation device. The magnifier is without a reticle itself but uses the red dot in the sight as the aiming reticle, thus eliminating the need for re-zeroing when shifting from non-magnified to magnified aiming and vice versa.

# MOUNTING

The height of the mount should be such that the optical (center) axes of the magnifier and of the observation sight coincide. Select a suitable position of the magnifier on the weapon base, so that the eye relief will be comfortable and properly achieved. Set the mount onto the rail base so the rail clamp bolt aligns with the crosscut grooves on your weaver or picatinny rail. Work the rail clamp into the rail until the clamping bolts seats onto the rail. Securely tighten the magnifier by locking the screw with a proper wrench or tool. Do not over-tighten the mounting system. It may lead to damage. In case to directly use the red dot sight without a magnifier, flip side the magnifier.

**Don't exceed 16 inches/pounds of torque on the ring's screws.**

# ZEROING

The magnifier does not need to be zeroed. However, the observation sight used together with the magnifier must be zeroed so that the red dot of the sight creates the correct point of impact. The magnifier adjusts which allows centering the red dot of the observation sight when viewing through the magnifier. Centering the dot inside the magnifier is not necessary, but creates a more natural feel. To have the dot in the center of the magnifier image, remove windage and elevation adjustment caps. Windage is the horizontal (left to right) adjustment, usually the side turret of the magnifier. The elevation is the vertical (up-and-down) adjustment, usually the top turret of the magnifier.

**NOTE:** Any adjustment of the magnifier does not affect the point of impact.

# SEALED, WATER RESISTANT AND FOGPROOF

The scope is nitrogen-purged to remove any vestige of internal moisture, also has an O-ring to prevent the entry of dust or moisture.

## MAINTENANCE

Your scope, though amazingly tough, is a precision instrument that deserves reasonable cautious care. Use lens covers whenever convenient.

- When cleaning the lens, first blow away any dirt and dust, or use a soft lens brush. Fingerprints and lubricants can be wiped off with lens tissue, or a soft clean cotton cloth, moistened with lens cleaning fluid.
- All moving parts of the scope are permanently lubricated. Do not try to lubricate them.
- No maintenance is needed on the scope's outer surface, except to occasionally wipe off dirt or fingerprints with a soft cloth.
- Use lens covers whenever convenient.

## **STORAGE**

Avoid storing the red dot sight in hot places, such as the passenger compartments of vehicles on hot days. The high temperatures could adversely affect the lubricants and sealants. A vehicle's trunk, a gun cabinet, or a closet is preferable. Never leave the red dot sight where direct sunlight can enter either the objective lens. Damage may result from the concentration (burning glass effect) of the sun's rays.

# ONE YEAR WARRANTY

Your VictOptics product is warranted free of defects in materials and workmanship for a period of 1 year from the time of purchase by the original owner. In the event of a defect under this warranty, we will, at our option, repair or replace the product at no charge to you. If we can't repair your product, we will replace it with a product of equal or better physical condition.

This warranty does not cover damages caused by misuse, improper handling, loss, theft, deliberate damage, or cosmetic damage. The battery is not covered under this warranty. Also, this warranty is null and void if modification or maintenance is provided by someone other than VictOptics. This warranty is non-transferable.

For products not directly purchased from us, please contact the local dealer for applicable warranty information.

Any warranty must be registered and complete warranty terms must be followed by the link:

[VICTOPTICS.COM/CONTACT-US](https://www.victpics.com/contact-us)

